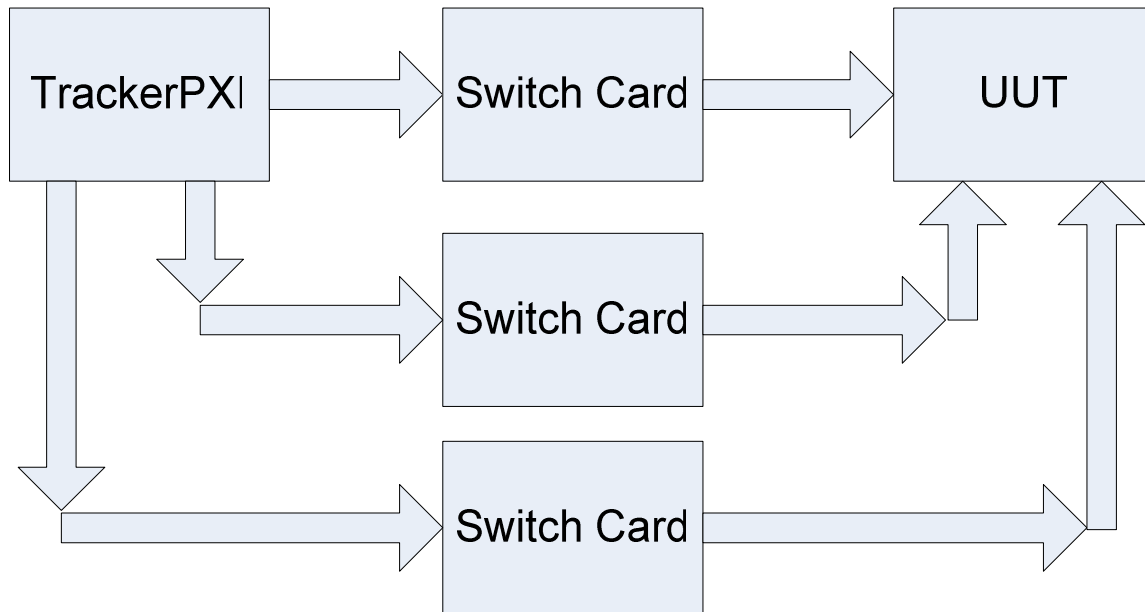


## Huntron Workstation Switch Card Support

Huntron Workstation Software supports switch cards manufactured by other companies. The main use of the switch cards is to allow switching for the TrackerPXI. The support is available through two methods. The first is support for National Instruments Switch Executive Software. The second is with direct support of two GeoTest switch cards. For other switch card control with Huntron Workstation Software, contact Huntron, Inc.



### NI Switch Executive Support

Use the National Instruments Switch Executive and Switch Card documentation to configure the Switch cards to be used with Switch Executive. In National Instruments Measurement & Automation Explorer create a NI Switch Executive Virtual Device called “HuntronSwitchConfiguration”. In this configuration create test pin routes prefixed with “HuntronTest” followed by the pin number without a space. To create Common pin use the “HuntronCommon” prefix followed by the pin number without a space.

#### Example:

If the first switch used is an NI PXI-2503 with driver setup of “Topology:2503/1-Wire 48x1 Mux”. The first route is called HuntronTest1 and it connects IVI Channel com0 to IVI Channel ch0. The rest of the routes connect com0 to ch1 – ch47. This creates test pins 1-48.

If the second switch card used is a Pickering 40-524-022 with a driver setup of “Model:40-523-022;”. The first route is called HuntronTest49 and it connects IVI Channel y1 to IVI Channel x1. The next 43 routes connect y1 to x2-x44. This creates test pins 49-98. The next route is called HuntronTest99 and it connects IVI Channel y2 to IVI Channel x1. The next 43 routes connect y2 to x2-x44. This creates test pins 99-136.

### **NI PX-2503 Wiring:**

Connect COM0+ to the Signal jack of the Tracker. Use CH1+ to CH23+ for pins 1-24 and CH1- to CH23- for pins 25-48.

### **Pickering 40-523-022 Wiring:**

Connect Y1.1 and Y2.2 together and connect to the Signal jack of the Tracker. Use X1.1 to X44.1 for pins 49-98 and X1.2 to X44.2 for pins 99-136.

## **GeoTest Switch Card Support**

Install the GeoTest Switch card and install the drivers. Get the card functioning using the appropriate GeoTest GX#### Panel program.

In Tools->Options->Hardware select GeoTest for the Scanner selection. Click the GeoTest Setup button.

Use the GeoTest Setup Dialog to configure the cards. Select the Switch Card type and the Slot number used in the GX#### Panel program. Then select Test to use the relay card for test pins or Common to use the relay card for Common pins. The Pins field will display the pins controlled by the card.

### **Example:**

First Switch Card GX6125, Slot 6, Test = Test Pins 1-25

Second Switch Card GX6138, Slot 7, Test = Test Pins 26-63

### **GX6125 Wiring:**

Connect CH1 CO - CH25 CO all together a connect to the Signal jack of the Tracker. Use CH1 NO – CH25 NO as pins 1-25.

### **GX6138 Wiring:**

Connect CH1B, CH2B, CH3B etc. all together a connect to the Signal jack of the Tracker. Use CH1A – CH38A as pins 26-63.